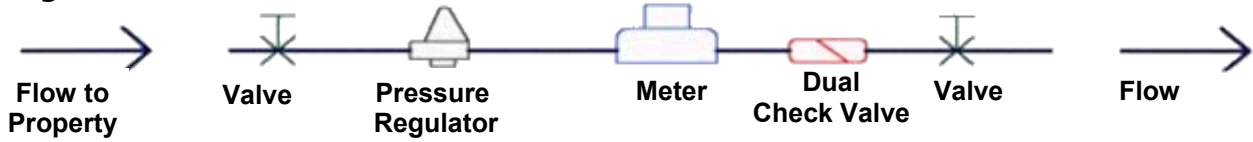
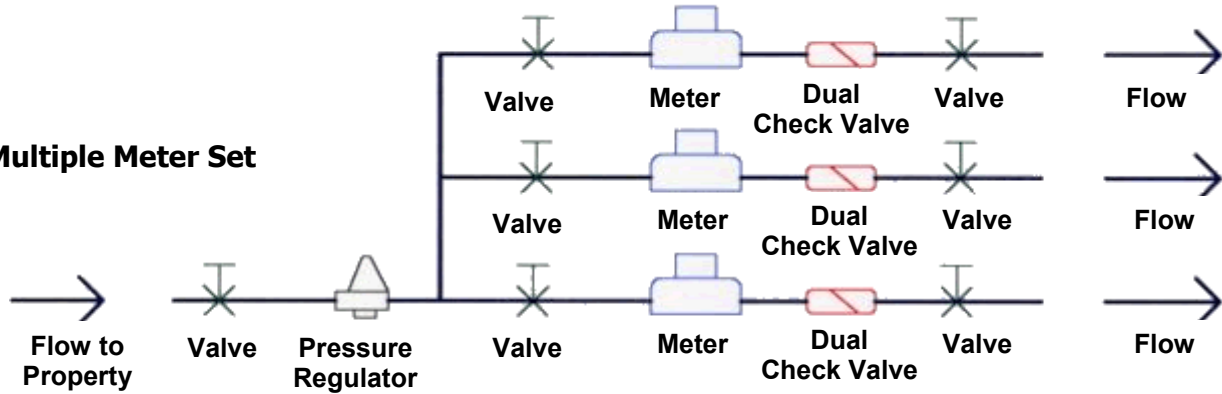


The following are diagrams of meter sets for new construction or updating an existing meter set.

Single Meter Set



Multiple Meter Set



The following is a diagram for a Sewer Lateral.

